

KIT FACILE

Multipurpose device for installation of water treatment equipments



Finality

To properly install water treatment equipments it is necessary to provide the installation with the following devices:

- by-pass for the exclusion of the equipment in case of need;
- mixing valve for adjusting water hardness when softeners are used;
- sampling taps to check water treatment efficacy.

To facilitate and standardize the installation of water treatment equipments Acqua Brevetti has designed KIT FACILE, a multipurpose device that does all these functions in less than 20 cm!

KIT FACILE includes:

- by-pass button
- hardness mixing valve
- predisposition for sampling taps.

Operation

By-pass button



The green knob marked by an arrow and the inscription "Push for by-pass" it is the by-pass button: simply push the button until it stops to put the device in the BY-PASS position. Pull the button outwards until it stops to put the device in SERVICE position.

Hardness mixing valve



The green screwed knob marked by a double arrow and the inscriptions "+" and "-" is the water hardness mixing valve. This device is needed

when a water softener is installed.

Turning the knob in the direction indicated by the sign "+" increases water hardness; conversely turning the knob in the direction indicated by the sign "-" decreases water hardness.

Predisposition for sampling taps

In the front of KIT FACILE there is the predispositions for two sampling taps which allow to draw water upstream and downstream of the treatment to determine its efficacy (degree of softening, dosage of anti-scaling and anti-corrosive).

Installation

Install in agreement with local regulations. Install only in hygienically suitable places.

Warnings

Protect from frost avoiding contact with solvents and chemical products.

Compliance and Regulatory references

Acqua Brevetti s.r.l. works with a Quality System certified in compliance with the requirements of the UNI-EN ISO 9001:2008 with certificate 501007368 issued by TÜV Italy s.r.l.

Endowment

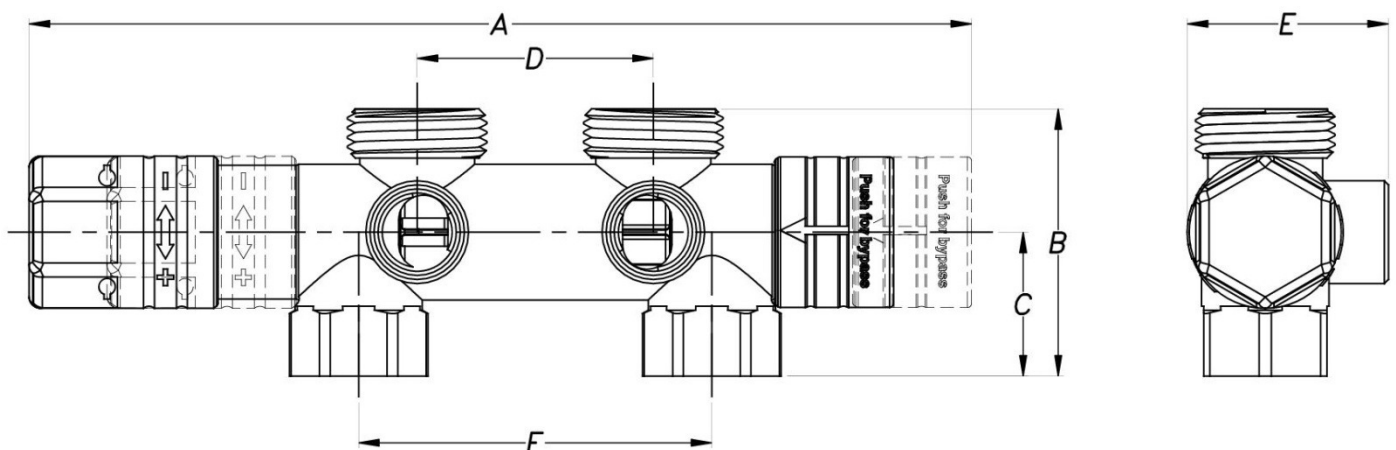
KIT FACILE is packaged in a plastic bag put inside a paperboard box. The standard endowment includes: KIT FACILE complete with n°2 ½" stoppers, n°2 tangs and nuts, instruction manual.



The sampling taps are not included.

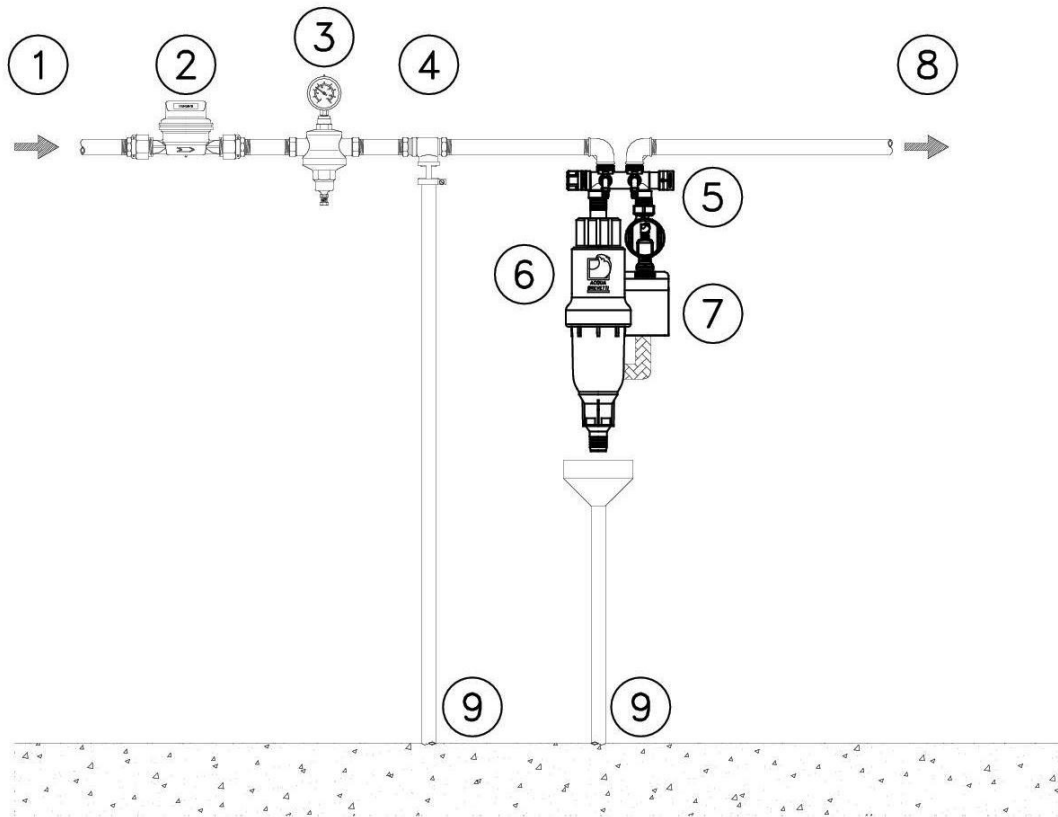
Performances and tecnica datasheet

	Units	KT100
Water inlet/outlet connections	-	1" M for 3/4" pipe union
Equipment inlet/outlet connections	-	3/4" GAS F
Sampling taps connections	-	1/2" GAS F
Flow rate (DP = 0.2 bar)	m ³ /h	1.2
Flow rate (DP = 0.5 bar)	m ³ /h	2.0
Min-max working pressure	bar	1.5 - 10
Min-max water temperature	°C	5 - 30
Min-max room temperature	°C	5 - 40
Dimensions		
Overall dimensions (A)	mm	230
Width (B)	mm	65
Distance from axis center (C)	mm	35
Water connections center distance (D)	mm	57,5
Depth (E)	mm	49
Equipment connections center distance (F)	mm	86



Installation scheme

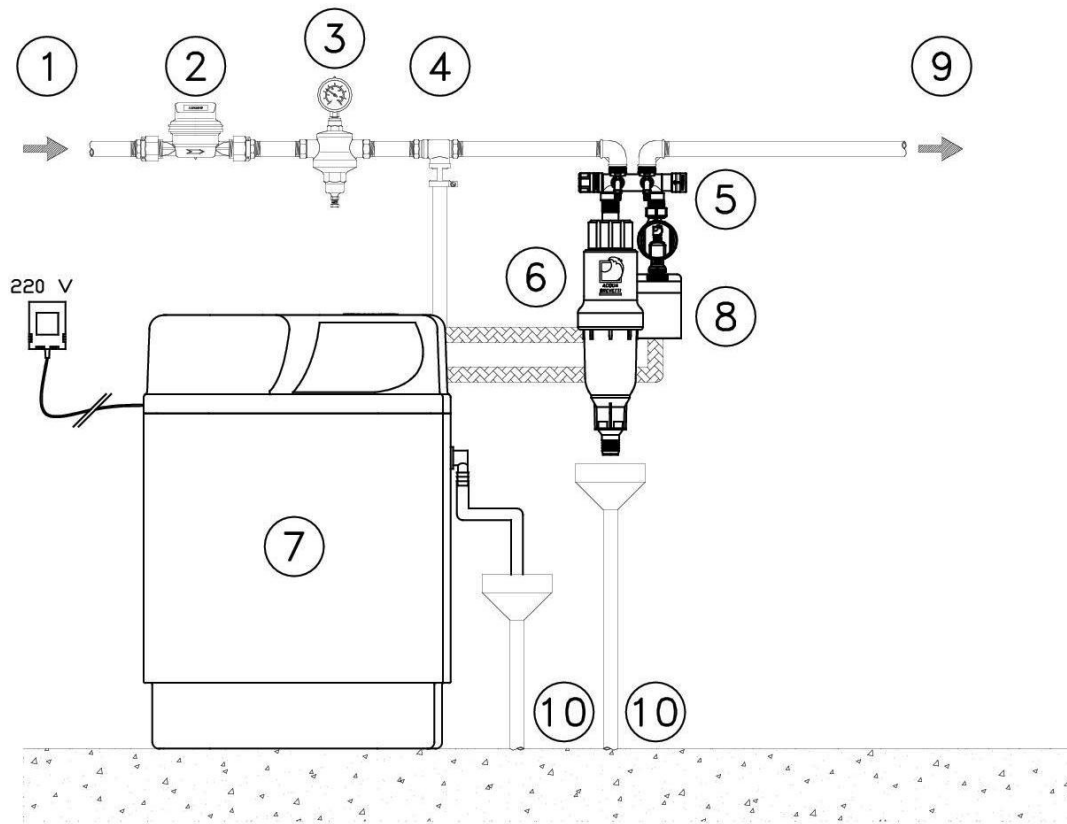
A. Water treatment unit composed by BravoFIL filter and MiniDUE dosing pump (e.g. water hardness lower than 25 °fr)



Legend

1. Raw water inlet – 2. Water meter – 3. Pressure reducer – 4. Backflow preventer – 5. KIT FACILE-
6. BravoFIL filter – 7. MiniDUE dosing pump – 8. Treated water – 9. Drain.

B. Water treatment unit composed by BravoFIL filter, BravoCAB water softener and MiniDUE dosing pump (e.g. water hardness higher than 25 °fr)



Legend

1. Raw water inlet – 2. Water meter – 3. Pressure reducer – 4. Backflow preventer – 5. KIT FACILE- 6. BravoFIL filter – 7. BravoCAB water softener – 8. MiniDUE dosing pump – 9. Treated water – 10. Drain.



ACQUA BREVETTI SRL

APPARECCHIATURE TRATTAMENTO ACQUA
Via Molveno, 8 – 35035 Mestrino (PD)
Tel. 049/8974006 – Fax 049/8978649
e-mail: info@acquabrevetti.it
sito web: www.acquabrevetti.it



This Technical Datasheet is based on the experience of Acqua Brevetti s.r.l. and it is applied to the use in compliance with the instruction supplied by the manufacturer; any use different from those described must be authorized in a written form from Acqua Brevetti s.r.l. For a regular maintenance it is advised to enter into a contract with an authorized technical service. Acqua Brevetti s.r.l. reserves the right to any change to its products without any notification. The reproduction of this document or part of this document is forbidden. This document is property of Acqua Brevetti s.r.l.

Trattare l'acqua è utile e vantaggioso